

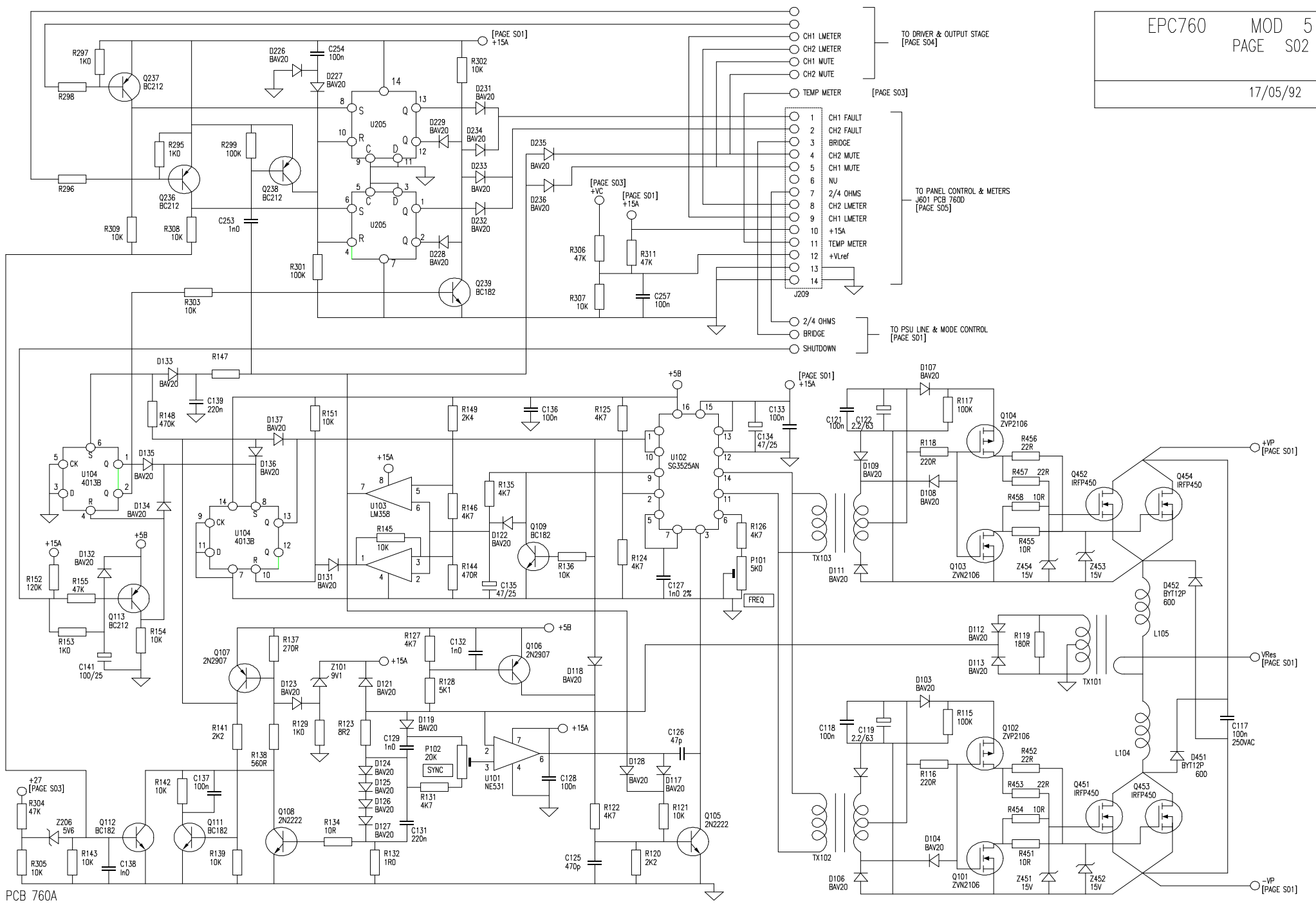
[PAGE S02]

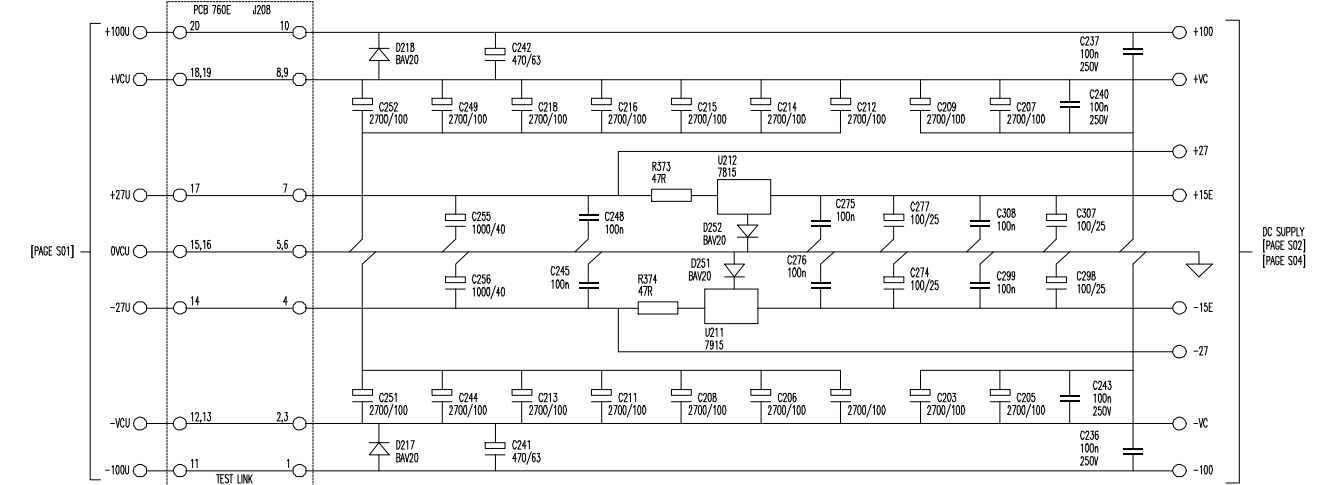
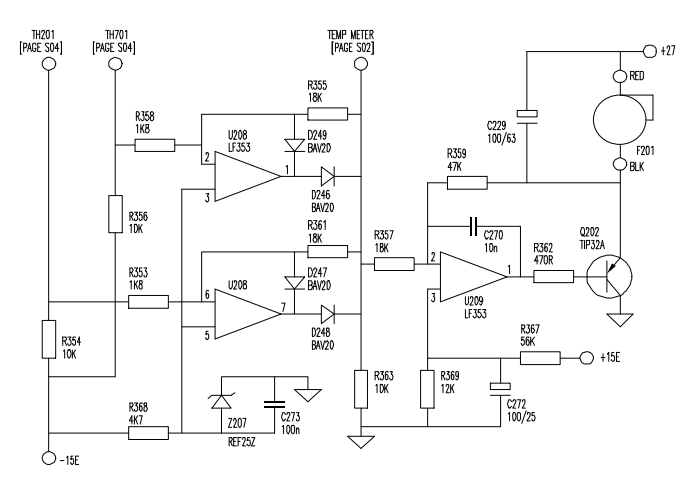
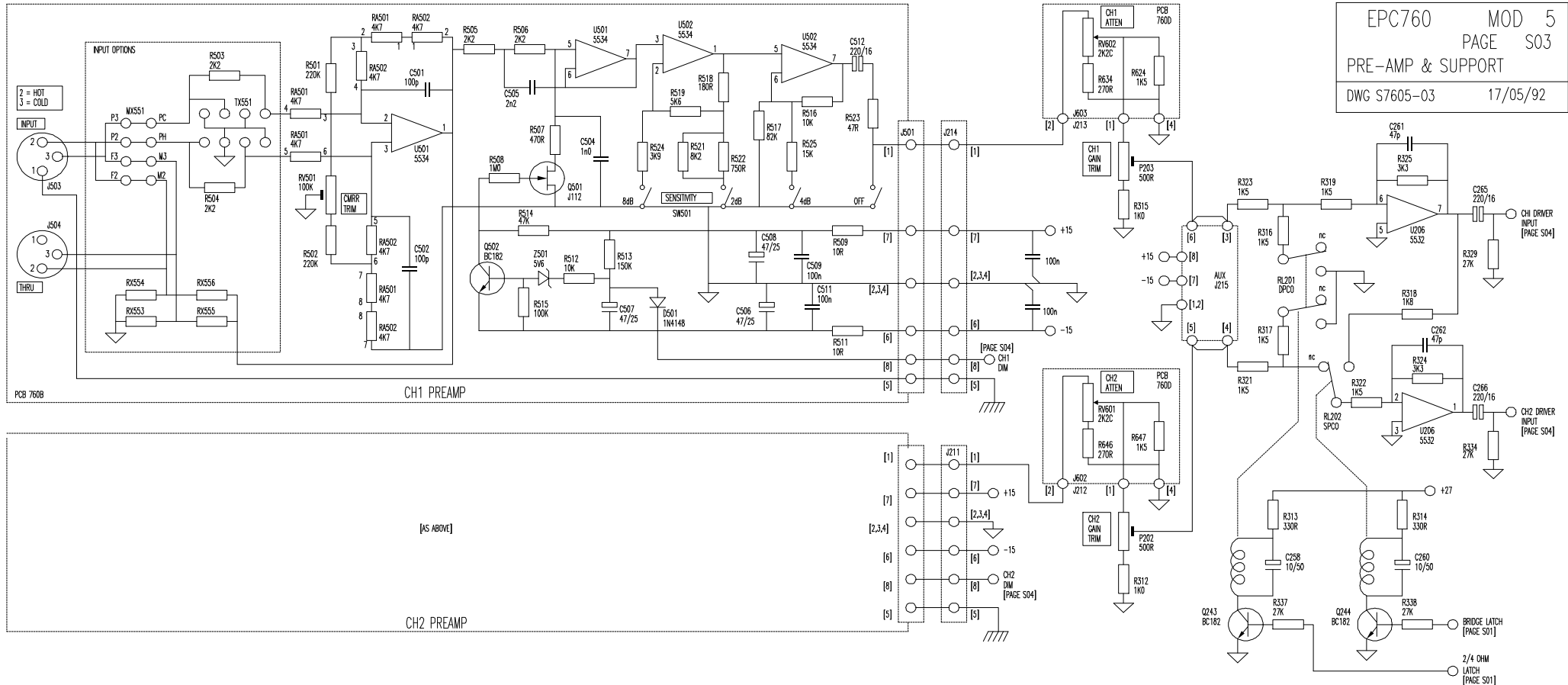
[PAGE S03]

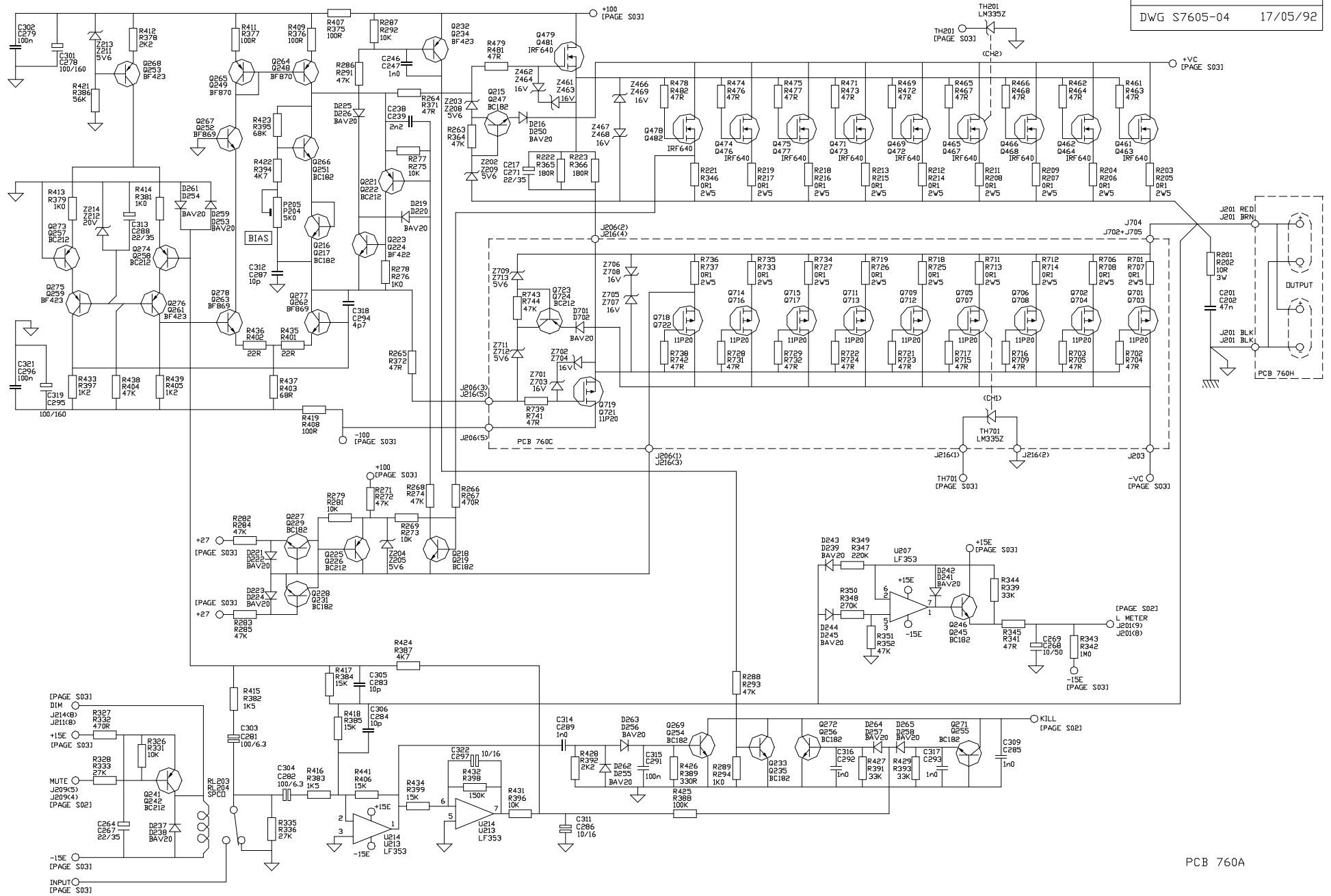
BRIDGE LATCH
 2/4 OHMS LATCH

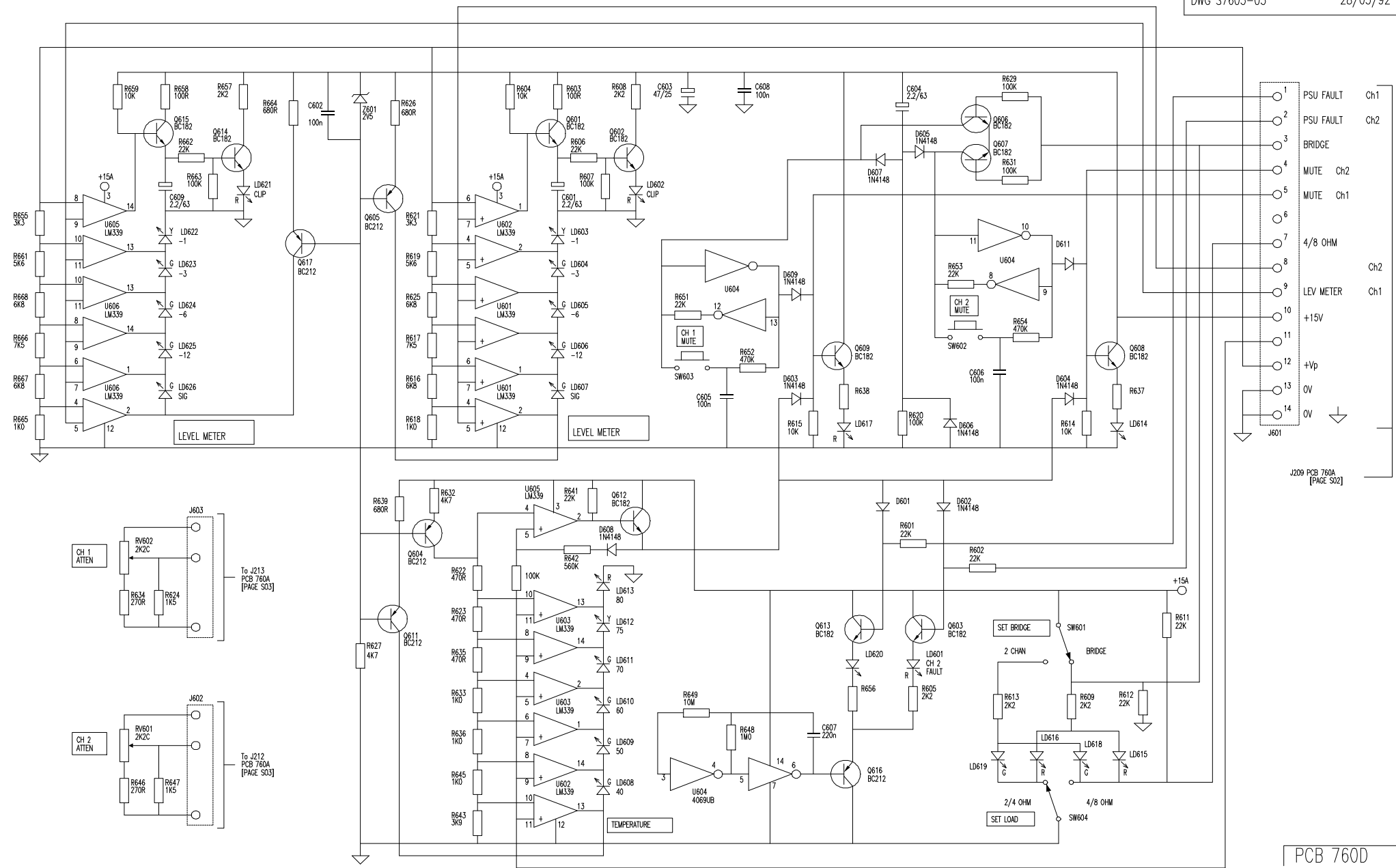
+15A
 SHUTDOWN
 2/4 OHMS
 BRIDGE

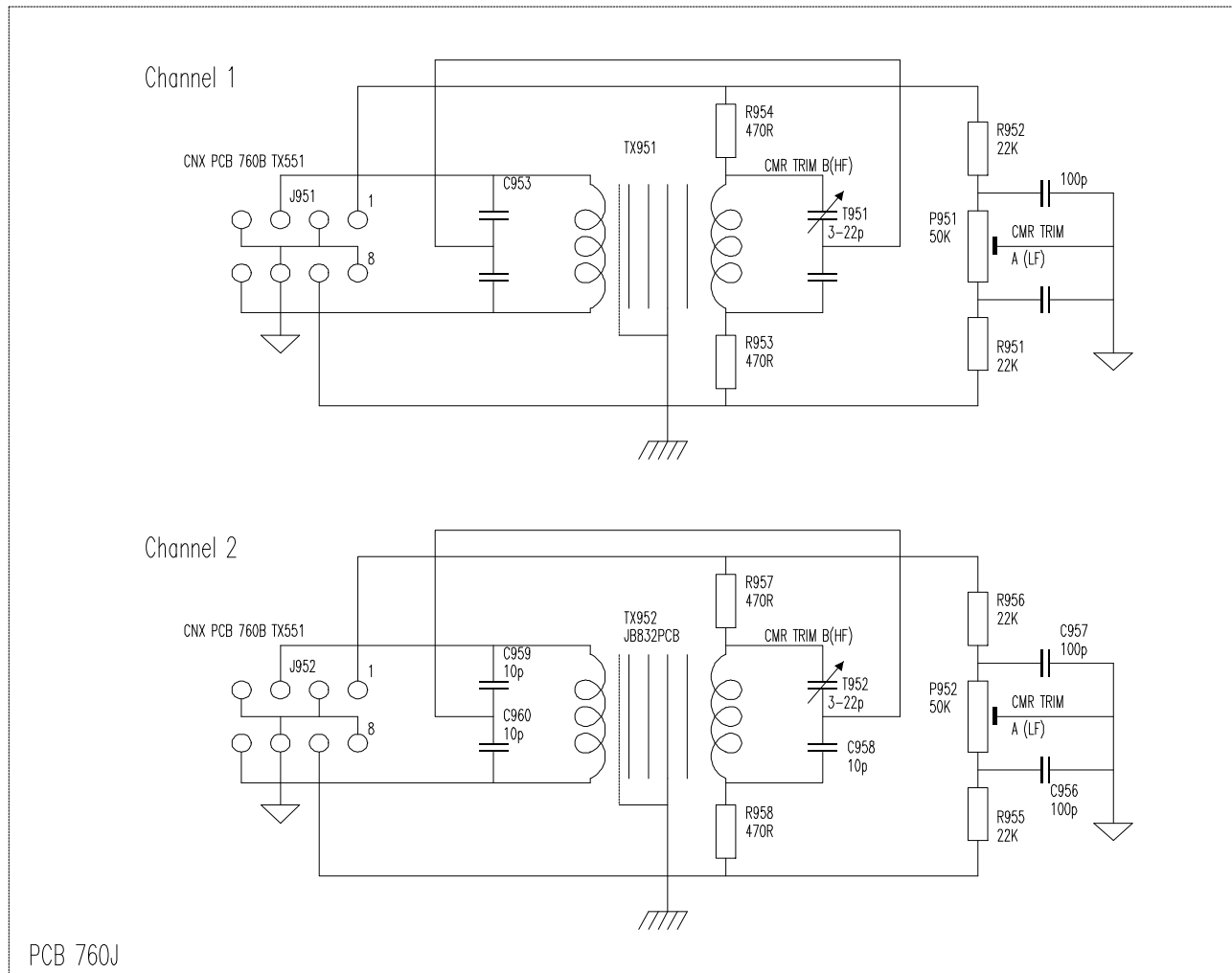
17/05/92











NOTE: When installing transformer option R503 and R504 on PCB 760B must be removed.